



GLASS HINGE (INSET)



Features

- For inset glass doors
- Can be used together with glass bracket GS-GB5 and glass door lock GS-GL5 for a total design of your showcase.
- Temporary holding feature allows the door to be installed easily by one person.
- Sideways adjustment (± 2.5 mm) possible after installation of the door.
- The gap below the door is adjustable from 3 mm to 5 mm with washers (⑥, ⑦).

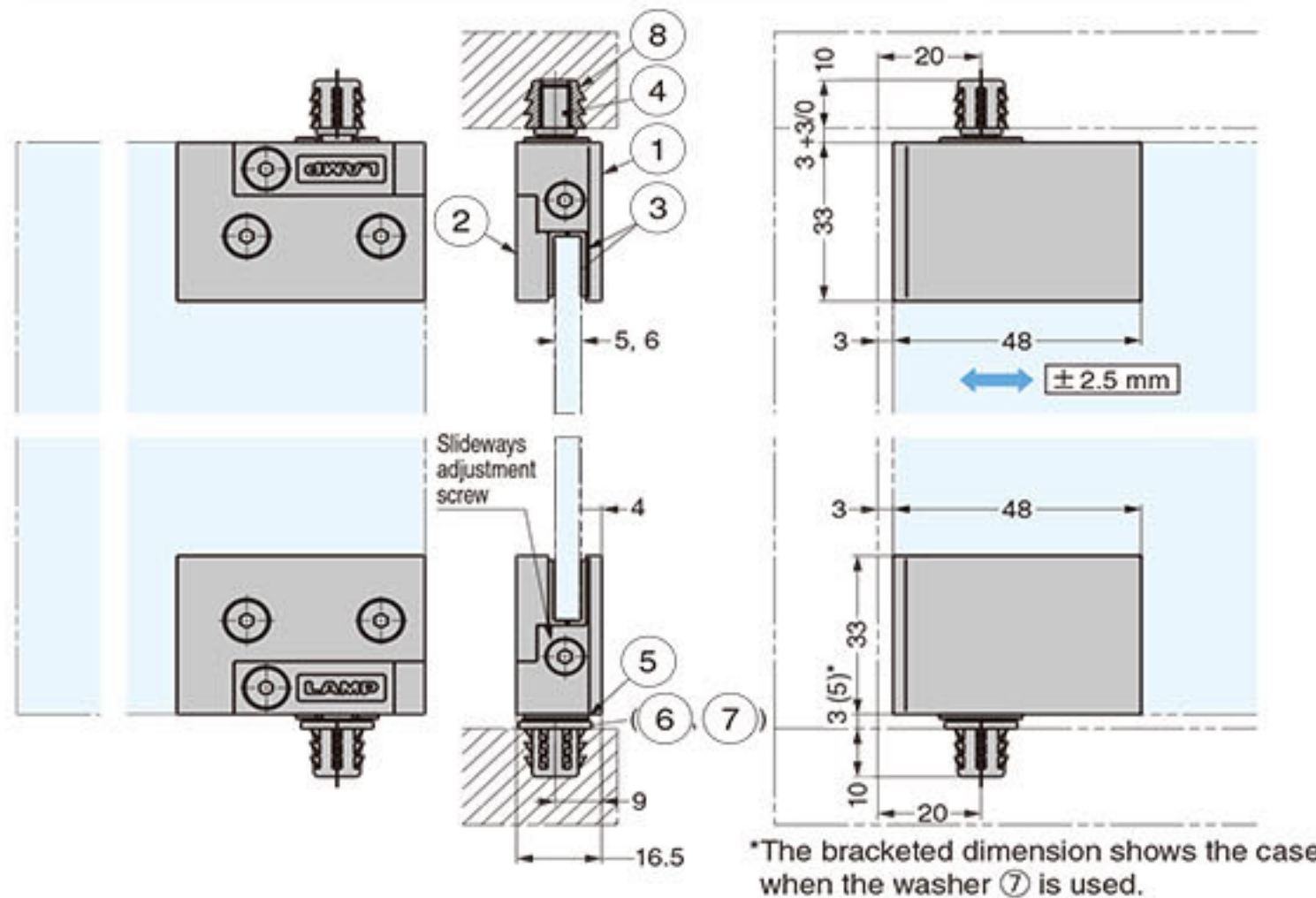
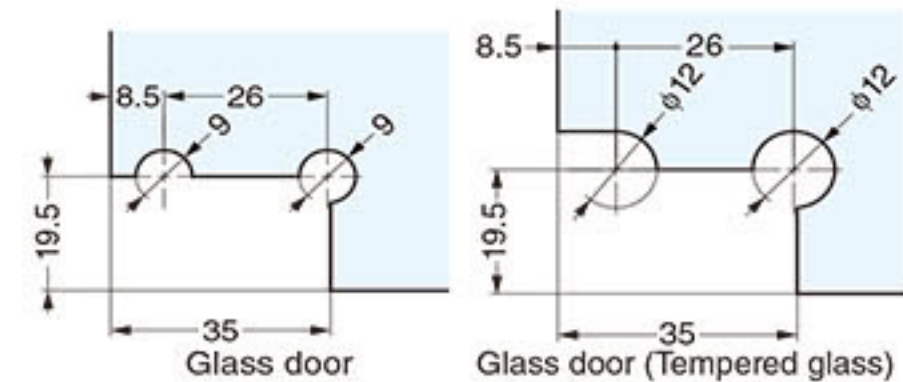
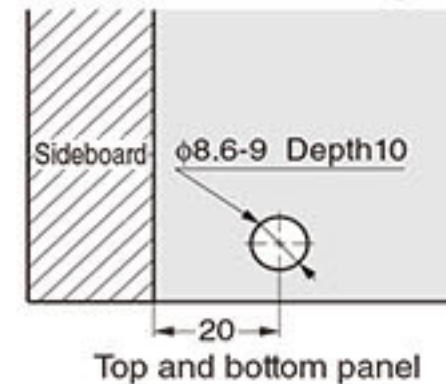
Remarks

- Please refer to glass weight as the main reference when installing glass door.
- Please use different gasket supplied with item for 5 mm thickness glass door.
- Film for glass door is recommended for safe usage.
- Please prepare a door stop separately.

Parts included

- Gaskets
- Spanner Hex.2.5

Installation Drawings



Sold in set (2 pcs).

CAD	Item CD	Item Name	Finish/Colour	Door Width	Door Height	Glass Thickness	Door Weight N/set	Door Weight kgf/set	Box (sets)	Carton (sets)
2030	170-037-123	GS-GH5-CR	Chrome	Max. 600 mm	Max. 900 mm	5, 6 mm	78	8	1	24
2030	170-037-124	GS-GH5-GP	Gold (24K) Plated							
2030	170-042-197	GS-GH5-BL	Black							

No.	Part Name	Material	Finish/Colour		
			CR	GP	BL
①	Body	Zinc Alloy (ZDC)	Chrome	Gold (24K) Plated	Black
②	Cover Plate	Zinc Alloy (ZDC)	Chrome	Gold (24K) Plated	Black
③	Gasket	Chloroprene Rubber (CR)		Black	
④	Axis	Stainless Steel		Plain	
⑤	Plastic Washer	Polyamide (PA)		Black	
⑥	Washer (t: 1.5)	Stainless Steel (SUS304)		Plain	
⑦	Washer (t: 3.5)	Brass		Nickel	
⑧	Insert	Zinc Alloy (ZDC)		-	